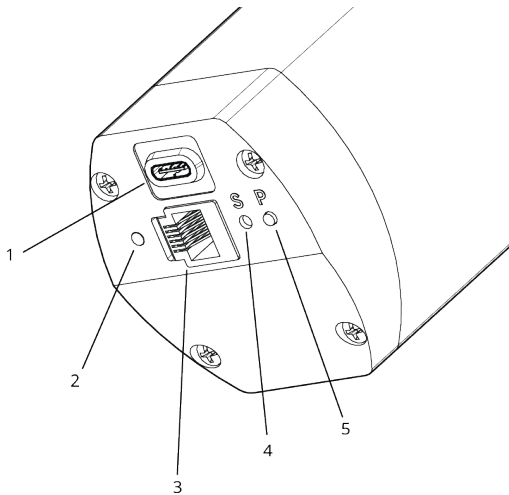




SCAN FOR VIDEO TUTORIAL



I/O Summary

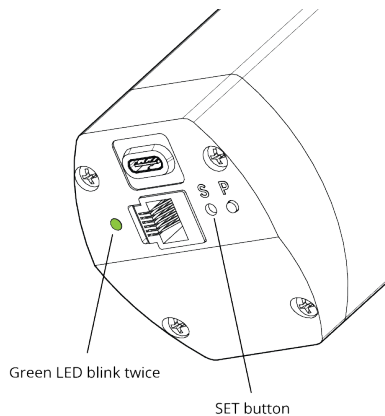
1. Charging Port
2. Status LED
3. PROG button
4. SET button
5. SCM port

Light Signals

Green Light	Blink Twice	Command received/ Wake from deep sleep
	Solid	Pairing mode
	Constant Blinking	Limit setting mode
Red Light	Blink Twice	Enter deep sleep mode
	Solid	Error / Flat battery
	Constant Blinking	Low battery

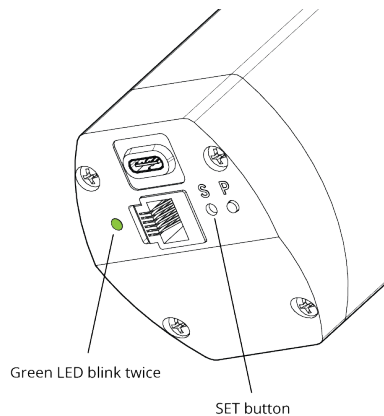
How to Set Limit

Before Set up: Make sure the curtain is at the open position.



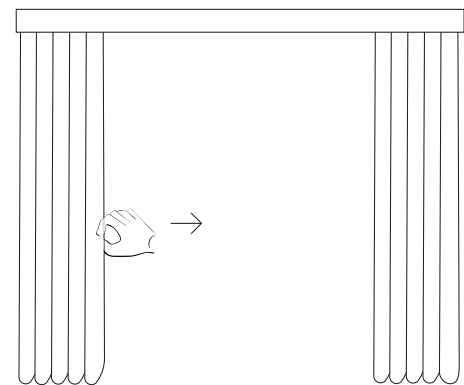
1. Turn on Luna Belt

Press and hold the **SET** button until the **Status LED** blinks green twice.



2. Turn on limit setting mode

Tap the **SET** button again until the **Status LED** constantly blinks green.



3. Pull Fabric to set limit

Pull the fabric towards the close position. Motor will automatically move the curtain to the fully close position, then reverse to the fully open position. Upon detecting both positions, the limit is saved automatically.

Battery Charging

- The charging port on the motor accepts standard USB Type C charging cables.
- Any USB charger can be used provided that it is certified and rated for at least 1A.
- When charging, the status LED will be solid amber.
- Once charging is complete, the status LED will turn off.

Factory Reset

Factory reset process will clear all limits of the motor including paired RF channels.

1. Ensure the **Status LED** is off.
2. Press and hold the **PROG** button until the **Status LED** turns solid green.
3. Press down on the **SET** button until the **Status LED** blinks amber twice.

Deep Sleep Mode

The motor has a deep sleep mode to prevent limit setting issues if multiple motors are paired to the same RF channel.

Wake up from deep sleep mode

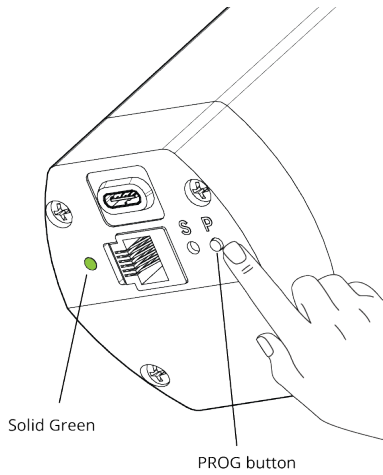
Hold down the **PROG** button until the status LED blinks green 2 times. Motor is now in active mode.

Enter deep sleep mode

Hold down the **PROG** button until the **Status LED** blinks amber 2 times. Motor is now in deep sleep mode.

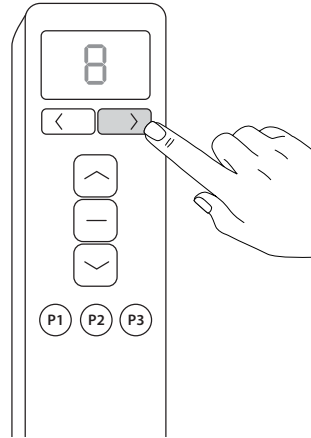
How to Pair Luna Belt to Remote

Before Set up: Make sure the motor is on



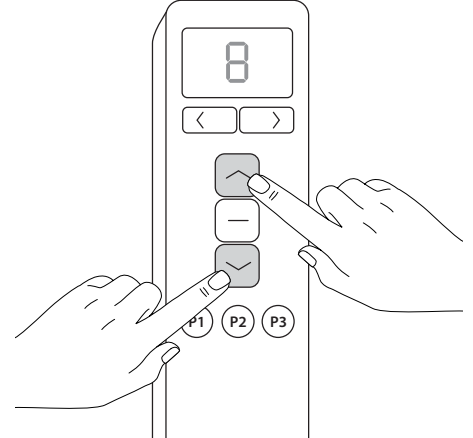
1. Turn on Pairing Mode

Press and hold the **PROG** button until the **Status LED** is solid green.



2. Choose Desire Channel

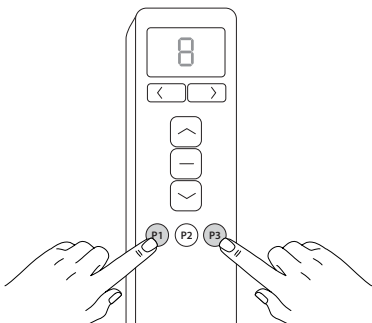
On your remote, use & to select desire channel number.



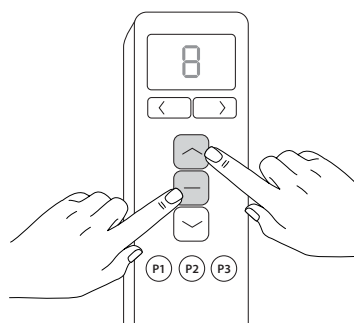
3. Set Channel

Hold down and button simultaneously. After 3-5 seconds, the **Status LED** on motor will flash green again, pairing is now complete.

How to Delete Current Channel

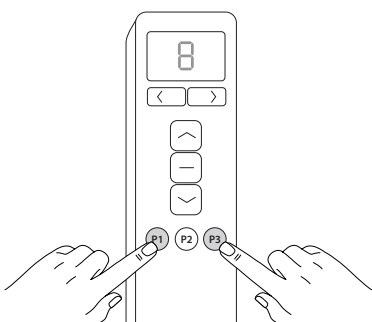


1. Hold **P1 + P3** until motor jogs.

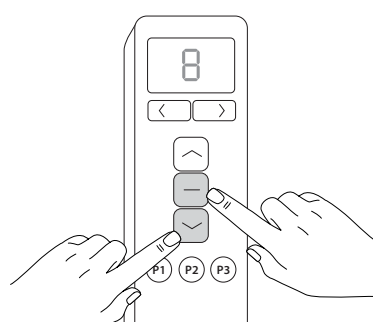


2. Hold + until motor jogs.

How to Delete All Channels



1. Hold **P1 + P3** until motor jogs.



2. Hold + until motor jogs.

I/O Summary

