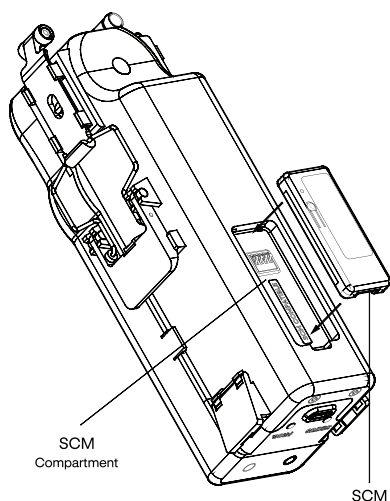


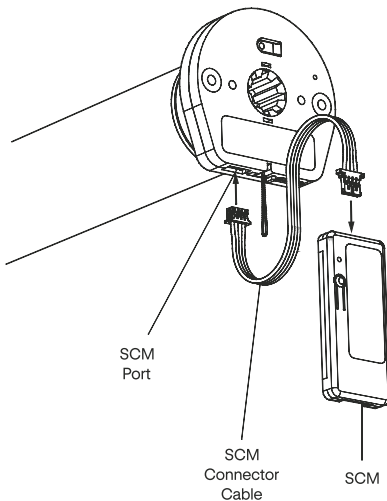
MOTOR CONNECTION

Before Pairing: Please ensure the motor is not in deep sleep mode during the pairing or commissioning process. If the motor was in deep sleep Mode when the SCM is first installed, please wake the motor up, then initialise the SCM by pressing the PROG button once. The SCM Status LED will blink green once to indicate successful initialisation.



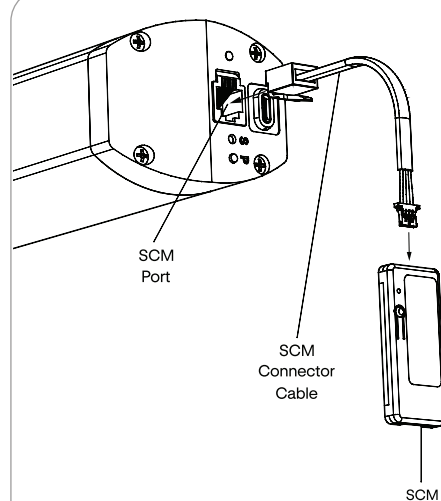
LUNA GLIDE

1. Use a flathead screwdriver to remove the SCM compartment cover
2. Insert the SCM into the compartment top, then snap the bottom into place
3. Pairing is now complete



LUNA ROLL

1. Plug the wide-end of the SCM connector cable into the SCM
2. Plug the narrow-end into the Luna Roll motor head's SCM port.
3. Pairing is now complete.



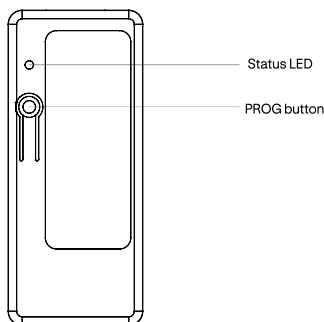
LUNA BELT

1. Plug the wide-end of the SCM connector cable into the SCM
2. Plug the narrow-end into the Luna Belt motor head's SCM port.
3. Pairing is now complete.

SCM FACTORY RESET

If the SCM has been previously commissioned to a network, a factory reset is required before it can be commissioned once more.

1. Press and hold the PROG button until the SCM Status LED lights up as solid amber.
2. Release the SCM button.



SCM Light Signal

Green	Blink Once	Successful initialisation
	Blink 4 Times	Network paring mode
Amber	Solid	SCM Factory Reset

MATTER TECHNOLOGY

Luna Smart Control Module (SCM) uses Matter over Thread technology, allows Luna motor to integrate more smoothly with major smart home platforms such as Apple Home, Google Home, Amazon Alexa and Samsung SmartThings. With a compatible hub that supports Matter over Thread, you can control your Luna motor through your preferred app, voice assistant, or automation setup.

LUNA RECOMMENDED HUBS

At Luna Technology Automation, we recommend the following hubs that provides the best connectivity experience for your Luna motors. You can also scan the QR code and find out the right hub for you.



- Apple HomePod mini



- Google Nest Hub (2nd Gen)



- Alexa Echo (4th Gen)

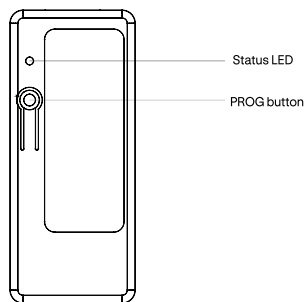
NETWORK CONNECTION

Before Pairing: Please ensure the Luna motor is connected to the SCM and ensure the motor is not in the deep sleep mode. Follow the instruction on the next page to connect your motor with SCM.



STEP 1: CONNECT YOUR HUB TO YOUR PHONE

Ensure your mobile device is connected to a compatible hub. i.e. Apple HomePod.



STEP 2: ACTIVATE LUNA SCM PAIRING MODE

Press the PROG button of the SCM once. The SCM Status LED will start with quick 4 green blinks followed by a short pause.



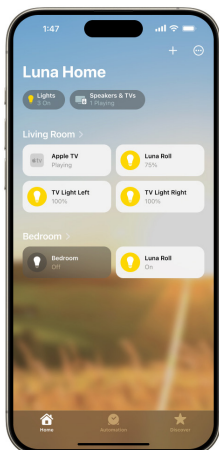
STEP 3: OPEN THE HOME APP

On your phone, open the smart home app, tab the '+' button and select 'Add Accessory'.



STEP 4: SCAN THE MATTER QR CODE

Scan the QR code on the SCM chip. The device should appear as Blinds. Select 'Add to Home'.



STEP 5: COMPLETE THE CONNECTION PROCESS

Complete the connection process by following the on-screen instructions of the desired smart home ecosystem provider.